

Emerald 122/118/116

Features and Benefits

MADE FOR HUSQVARNA VIKING

Husqvarna Viking quality and features.

SEWING GUIDE REFERENCE CHART

Refer to your built-in Sewing Guide Reference Chart for recommendations on presser foot, stitch length, stitch width, thread tension, and presser foot pressure for your fabric type and sewing technique.

BUILT-IN NEEDLE THREADER

Fast, easy threading.

NEEDLE UP/DOWN (EMERALD 122/118)

Set needle up or down at any time. Perfect for pivoting with appliqué.

SPEED ADJUSTMENT (EMERALD 122/118)

Set speed according to your sewing project and skill level.

22 STITCHES – EMERALD 122

18 STITCHES – EMERALD 118

16 STITCHES – EMERALD 116

Utility stitches for sewing and mending, tri-motion stitches for knits and reinforcing, and decorative stitches for creative projects.

ONE STEP BUTTONHOLE

Quick and easy buttonholes made with your one-step buttonhole foot.

11 PRESSER FEET – EMERALD 122

8 PRESSER FEET – EMERALD 118/116

Wide selection of presser feet included. Emerald 122 also comes with gathering foot, 1/4" piecing foot, and transparent B-foot for decorative stitches.

SNAP ON AND OFF PRESSER FEET

Quickly change to recommended foot for perfect results.

EASY STITCH SELECTION

Simply turn the dial to select your stitch.

VARIABLE STITCH LENGTH AND WIDTH

Turn your dials to set stitch length from 0 to 4 mm, and stitch width from 0 to 5 mm.

ADJUST NEEDLE POSITION

Position your needle for topstitching and quilting.

INSTANT REVERSE

Tie off and mend easily.

PRESSER FOOT LIFT

Fast and easy with extra lift for bulky projects.

ADJUSTABLE PRESSER FOOT PRESSURE

Sew any fabric weight/type with perfect results.

AUTOMATIC BOBBIN THREAD PICK-UP

No need to bring up bobbin thread manually.

SWEDISH DESIGN

Convenient, easy sewing.

METAL ONE PIECE CASTING

Strong, no vibrations.

PERMANENTLY LUBRICATED, NO OIL NEEDED

No oil means no stains on fabric.

JAM PROOF FULL ROTARY HOOK

Smooth sewing with no hassles.

TOP LOAD DROP-IN BOBBIN

Easy to place, easy to see.

SLIM FREE ARM

Easy to sew on small projects.

SLIDE ON ACCESSORY BOX

Convenient storage for all accessories.

DROP FEED TEETH

Easy to lower feed teeth for button sewing and free-hand stippling and embroidery.

CENTIMETER/INCH STITCH PLATE

Markings in centimeters and inches help guide your fabric while sewing.

BUILT-IN RULER

Centimeter/Inch ruler on machine lets you measure ribbing and elastic at your fingertips.

BUILT-IN HANDLE

Bring your Emerald to classes, or move it around in your home comfortably.

LIGHT WEIGHT. APP. 16 POUNDS (8 KG)

Easy to carry and put away.

HARD COVER

Protection, with pocket for User's Guide.

HORIZONTAL OR VERTICAL THREAD SPOOLS

Thread reels off freely from any type of spool.

CLEAR BOBBIN COVER

Check bobbin thread supply easily.

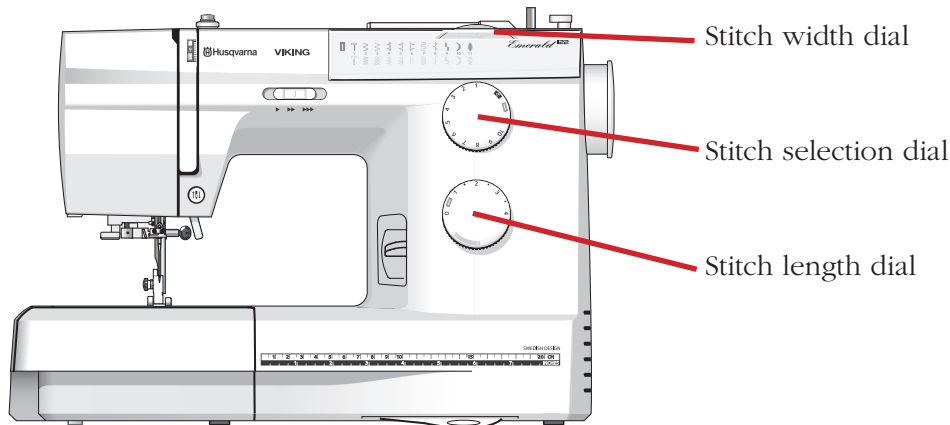
OPTIONAL PRESSER FEET

Choose between a wide range of Husqvarna Viking accessory feet for endless creativity presented in your Accessory User's Guide.

Demo to Sell

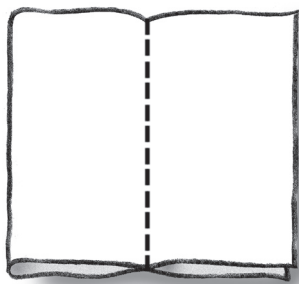
Your Husqvarna Viking Emeralds are easy to operate. The Sewing Guide Reference Chart saves you time and you always get the settings right. Use your Sewing Guide Reference Chart to help select the right stitch, stitch length and width, presser foot, presser foot pressure, and thread tension for the seven most frequent sewing techniques. Then simply turn your dial to select the stitch. Quickly and easily set your stitch length and width as recommended.

With the drop-in bobbin, no jamming, no oiling, snap on/off presser feet as well as a built-in needle threader, your sewing preparations go fast and easy. Your Emerald 122/118 also feature needle up/down function, speed control slide, and more decorative stitches and additional presser feet. See sell up features below. All the things you love in a Husqvarna Viking are there in the Swedish designed Husqvarna Viking Emerald 122/118/116.



QUICK DEMO

Start your quick demo by showing different sewing techniques from the Sewing Guide Reference Chart. Use medium woven fabric for the first demos, choose a nice wool or medium stretch material for the blind hem depending on your customer. For the Seam/Overcast and Visible Hem, we recommend you use sweatshirt material and ribbing.

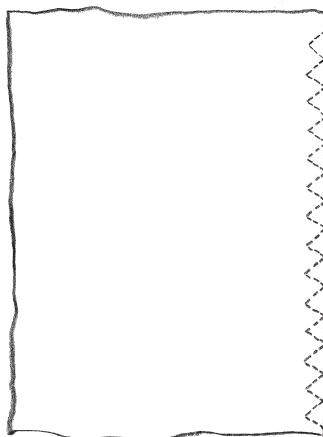


SEAM

Consult the Sewing Guide Reference Chart for stitch selection and settings. Fold fabric in half, sew a straight stitch, show stitch length up to 4 mm.

TALK ABOUT

You can lengthen the stitches up to 4 mm, good for basting when you want to try your garment on before you sew. Top stitch with longer stitches.



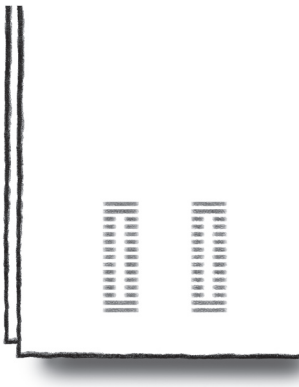
OVERCAST

Consult the Sewing Guide Reference Chart for stitch selection and settings. Overcast along an edge and continue to sew outside the edge of the fabric to show the jam proof hook.

TALK ABOUT

To prevent your fabric from fraying, overcast the edges. Have you noticed the Husqvarna Viking snap on and off presser feet? They make changing feet so much faster and easier!

The jam proof hook on all Husqvarna Viking sewing machines means if you sew off the edge of the fabric, your Emerald will not jam. Would you like a jam proof sewing machine?



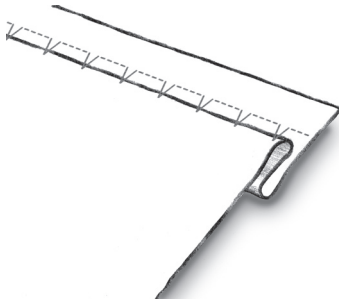
BUTTONHOLE

Consult the Sewing Guide Reference Chart for stitch selection and settings. Place a button in the button holder and remember to pull the buttonhole lever down as far as it will go. Repeat the buttonhole by turning the dial to



TALK ABOUT

Choose between two different buttonhole feet. Use the smaller one for projects using extra large buttons or where you have limited space. When working with the automatic buttonhole foot, simply place your button in the button holder, and your buttonhole size is instantly set, lower the buttonhole lever and you're ready to sew!

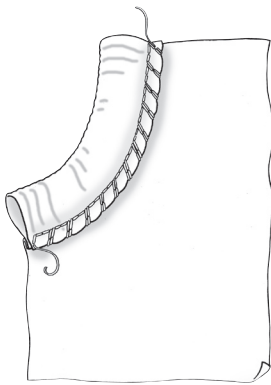


BLIND HEM

Consult the Sewing Guide Reference Chart for stitch selection and settings. Fold fabric for a blind hem. Stitch the blind hem and hand it to the customer.

TALK ABOUT

Would it save you time to hem by machine? For a blind hem, simply refer to your Sewing Guide Reference Chart and you get all the information you need. The adjustable D-foot guides your blind hem. When sewing on stretch fabrics, decrease presser foot pressure to prevent fabric from stretching.

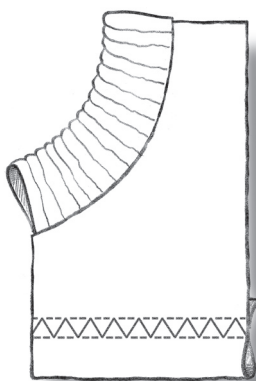


SEAM/OVERCAST

Consult the Sewing Guide Reference Chart for stitch selection and settings. Cut a neck line on stretch material. Fold ribbing double. Join with right sides together, stretch ribbing while sewing.

TALK ABOUT

Save time by sewing and overcasting in one step. When you sew stretch fabrics for sport, fashion or children's wear, you have tri-motion stitches for strength and durability plus a professional finish. Would this feature save you time?

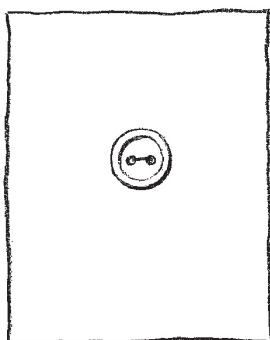


VISIBLE HEM/FLATLOCK

Consult the Sewing Guide Reference Chart for stitch selection and settings. Fold a hem and sew the flatlock over the folded hem. Close the sale. Ask for the order.

TALK ABOUT

On all Husqvarna Viking machines you can adjust presser foot pressure for perfect feeding of all fabrics. Flatlock hems on your garment in one operation, no need to overcast first. Professional and decorative. What do you think? Would you like to take your Emerald home today or to pick it up at your first lesson?



BUTTONS

Select zig-zag and set stitch width to 3.5. Lower feed teeth, place the button on medium woven fabric. Sew a few stitches. To tie off, choose stitch width 0 for left position.

TALK ABOUT

Attaching buttons by sewing machine is a fast and secure way! To lower the feed teeth simply push the lever to the left. Wouldn't this save you time?

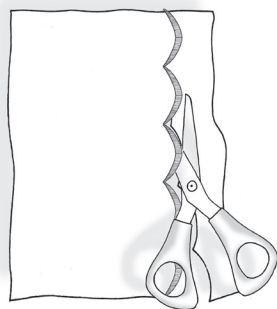
Sell Up through the Emerald Family

SELL UP FEATURES FROM HUSQVARNA VIKING EMERALD 116 TO EMERALD 118

- Speed control slide
- Needle Up/Down selection
- 2 additional decorative stitches

SELL UP FEATURES FROM HUSQVARNA VIKING EMERALD 118 TO EMERALD 122

- Three additional presser feet: Quilters ¼" Piecing Foot, Gathering Foot, and Transparent B-foot for decorative sewing
- 2 decorative scallop stitches
- plus 2 other additional decorative stitches



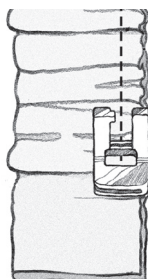
SELL UP DEMOS FOR HUSQVARNA VIKING EMERALD 122

SCALLOPED EDGE

Select stitch number 10. Place a tear-away stabilizer under a medium woven fabric. Snap on Transparent B-foot. Sew a scalloped edge, then trim off fabric close to scallop.

TALK ABOUT

Give your garments a creative and personal look. Scallops are great for edging on collars, curtains or tablecloths. It is a feature you will enjoy. Use your Transparent B-foot for maximal visibility while decorating your projects.

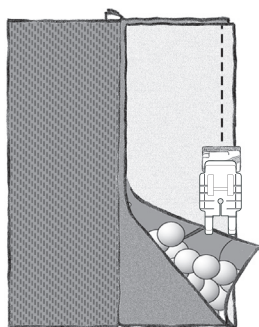


GATHERING/PUFFING

Select straight stitch and set needle in left position. Change your stitch length to 3-4, also increase the top thread tension for more gatherings. Snap on the Gathering foot. Stitch along one edge of a light woven fabric strip, then the opposite edge to gather. Hand sample to the customer.

TALK ABOUT

Create ruffles and puffing quick and easy and attach them right away to your project! Add great finishes to children's clothes. Gathering techniques are also a fast way to fashionable home dec! For nice-looking gathers you can also reduce your speed by using your speed control slide.



QUILT PIECING

Select straight stitch and snap on the Quilters ¼" Piecing foot. Place two pieces of fabric right sides together. Sew with edge of fabric at edge of foot. To pivot ¼" (6 mm) from the end of the fabric, stop sewing with needle stop down, when the fabric reaches first red mark on foot.

TALK ABOUT

Sew a scant ¼" seam quick and easy! The red mark shows you both ¼" (6 mm) and 1/8" (3 mm) pivot points in front and behind the needle.

Expand your sewing experience and try out our Husqvarna Viking optional accessory feet!

All the presser feet below can be used together with your Husqvarna Viking Emerald 122/118/116.

Braiding Foot	411 85 00-45
Gimping Foot	412 58 05-45
Narrow Braid/Cord Foot	411 85 09-45
Gimping/Braiding Guide	412 55 44-45
Marking Foot	411 85 03-45
¼" (6 mm) Bias Binder	411 85 04-45
½" (12 mm) Bias Binder	412 65 50-01
5 mm Narrow Hem Foot	411 85 17-45
2 mm Narrow Hem Foot	411 85 22-45

3 mm Shell Rolled Hem Foot	411 85 20-45
2 mm Shell Rolled Hem Foot	411 85 24-45
Roller Foot	411 85 29-45
Straight Stitch Foot	411 85 35-45
9 Groove Pin Tuck Foot	412 37 00-45
7 Groove Pin Tuck Foot	412 36 28-45
5 Groove Pin Tuck Foot	412 36 99-45
Piping Foot	411 85 10-45
Narrow Zipper Foot	412 56 57-45
Invisible Zipper Foot	412 68 70-45
Clearance Plate	411 17 32-45
Circular Attachment	412 60 26-45
Single Welt Cord Foot	412 62 70-45
Double Welt Cord Foot	412 62 71-45
Mini Bead Foot 4 mm	412 70 11-45

Non-stick Glide Foot H	412 79 61-45
Edge/Joining Foot	412 79 68-45
Edge Stitching Foot	412 79 67-45
Left Edge Topstitch Foot	412 78 42-45
Gathering Foot	412 79 71-45
¼" Quilters Piecing Foot	412 37 08-45
¼" Quilters Piecing Foot	412 78 55-45
Clear Stitch-in-Ditch Foot	412 92 74-46
Clear ¼" Piecing Foot w. Guide	412 92 74-45
Clear ¼" Piecing Foot	412 92 74-47
Transparent Foot B	412 79 82-45
Open Toe Foot	412 80 09-45
Elastic Guide Foot	412 81 53-45
7-Hole Cord Foot with Threader	412 01 43-45
Button Foot w. Placement Tool	412 93 45-45